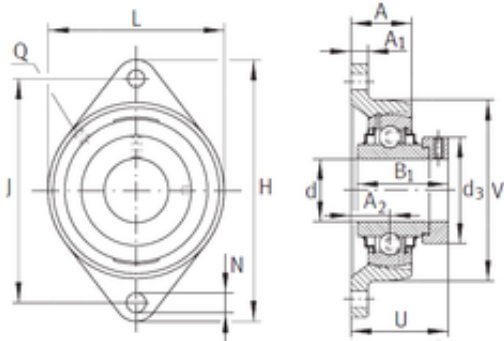




NTN BEARING-BOWER CORP.

INA RCJT1 bearing units



Bearing No. RCJT1

Bore Diameter	25,4 mm
d	25,4 mm
V	70,993 mm
U	45,999 mm
Thread (Q)	1/8 NPT
d3	37,49 mm
A	27,508 mm
A1	11,989 mm
B	44,501 mm
H	124,993 mm
J	99,009 mm
L	70,993 mm
N	11,506 mm
A2	18,999 mm

RCJT1 Bearing 2D drawings and 3D CAD models