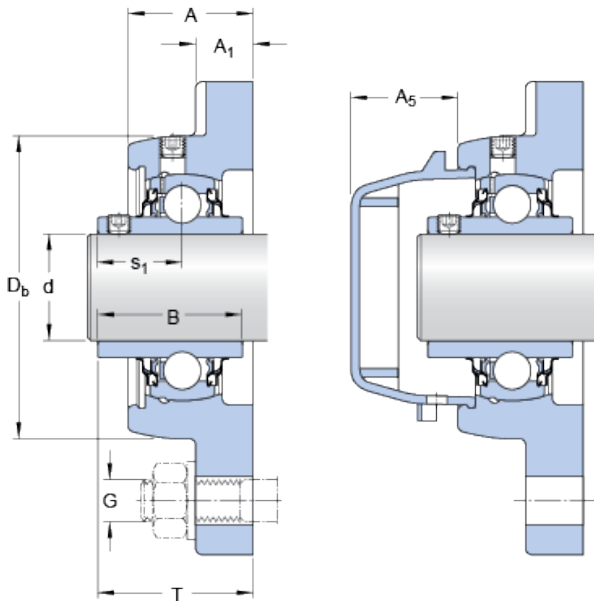




NTN BEARING-BOWER CORP.

SKF FYWR 1.1/4 AYTHR bearing units

Bearing No. FYWR 1.1/4 AYTHR



FYWR 1.1/4 AYTHR Bearing 2D drawings and 3D CAD models

Size	31.75x34.1x13.5 mm
Bore Diameter	31,75 mm
Outer Diameter	34,1 mm
Width	13,5 mm
d	31.75 mm
A	34.1 mm
A ₁	13.5 mm
A ₅	29.3 mm
B	38.1 mm
D _{b1}	74.1 mm
D _{b2}	78.4 mm
J	82.6 mm
L	108 mm
H	12.7 mm
s ₁	22.2 mm
T	42 mm
R _G - 1/4-28 UNF	1/428 UNF
R ₁	22.7 mm
Basic dynamic load rating - C	16.3 kN
Basic static load rating - C ₀	11.2 kN
Fatigue load limit - P _u	0.475 kN
Limiting speed	3800 r/min
Mass bearing unit	1.35 kg
Thread - G ₂ - 1/4-28 UNF	1/428 UNF



NTN BEARING-BOWER CORP.

Hexagonal key size for grub screw - H	3.175 mm
Housing material	Stainless steel
D_{b1}	74.1 mm
D_{b2}	78.4 mm
A_1	13.5 mm
A_5	29.3 mm
N	12.7 mm
s_1	22.2 mm
R_G	1/4-28 UNF
R_1	22.7 mm
Basic dynamic load rating C	16.3 kN
Basic static load rating C_0	11.2 kN
Fatigue load limit P_u	0.475 kN
Thread grub screw G_2	1/4-28 UNF
Hexagonal key size for grub screw N	3.175 mm
Recommended tightening torque for grub screw	4 N · m
Recommended diameter for attachment bolts, mm G	10 mm
Recommended diameter for attachment bolts, inch G	0.4375 in
Housing	FYWR 506 Y