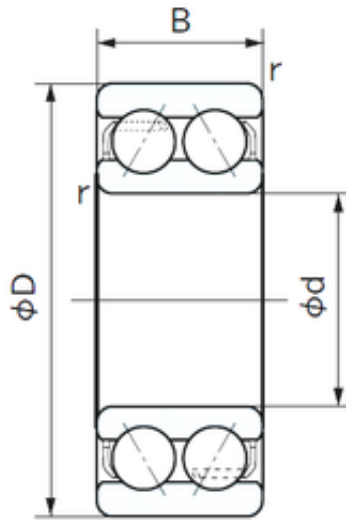




NTN BEARING-BOWER CORP.



30 mm x 62 mm x 23.8 mm NACHI 5206A
angular contact ball bearings

Bearing No. 5206A

5206A Bearing 2D drawings and 3D CAD models

Size	30x62x23.8 mm
Bore Diameter	30 mm
Outer Diameter	62 mm
Width	23.8 mm
d	30 mm
D	62 mm
B	23.8 mm
C	23.8 mm
Angle (°)	20 °
r min.	1 mm
Weight	0.290 Kg
Basic dynamic load rating (C)	28,6 kN
Basic static load rating (C0)	20,5 kN
(Grease) Lubrication Speed	7000 r/min
Enclosure	Open
Configuration	Double Row
Bore Type	Cylindrical Bore
Bore Size	30 mm
Outside Diameter	62 mm
Width	23.8 mm
Fillet Radius/Chamfer	1 mm
Dynamic Load Rating	28,600 N
Static Load Rating	20,500 N
Limiting Speed - Grease	7,000 rpm
Limiting Speed - Oil	9,500 rpm



NTN BEARING-BOWER CORP.

Radial Clearance	0.005 to 0.020 mm
da	36 mm56 mm
Dx	68.5 mm
ra	1 mm
Cy	4.7 mm